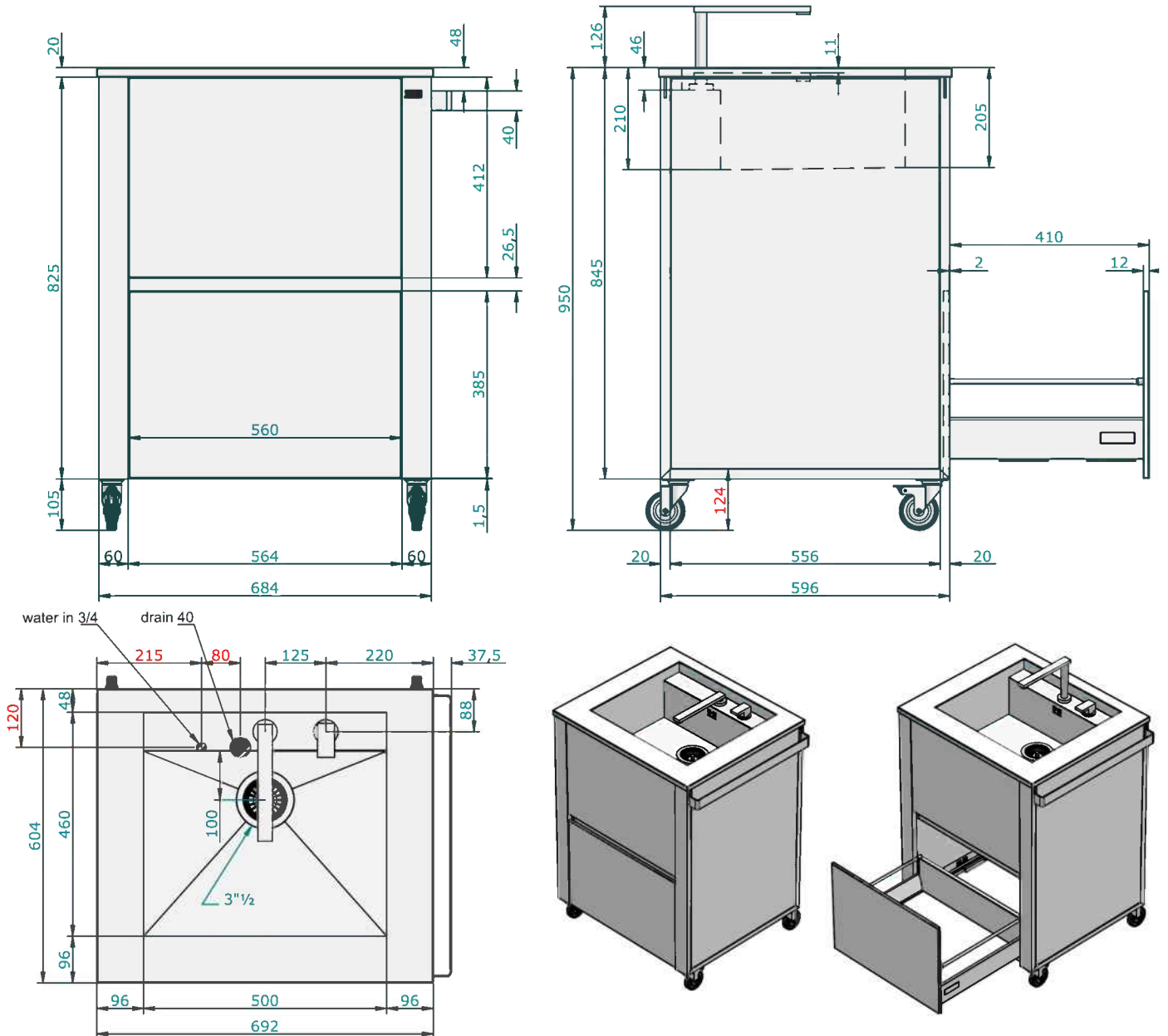


CUN sink
wintersafe
instructions

692x604 h950 mm

679161 stainless steel
679162 oak
679163 acrylic stone beige
679164 acrylic stone white



IMPORTANT

in order to make your Jokodomus CUN sink pass safe trough the winter please follow this important steps:

unplug the water inlet connection and make sure water outlet is not obstructed



open the water tap and let residual water rinse completely



Inflate an airballoon and hold the air in while putting it over the tap water outlet, let the air flow through the water system. Repeat for several times until ABSOLUTELY sure that no water has remained in the water system.

